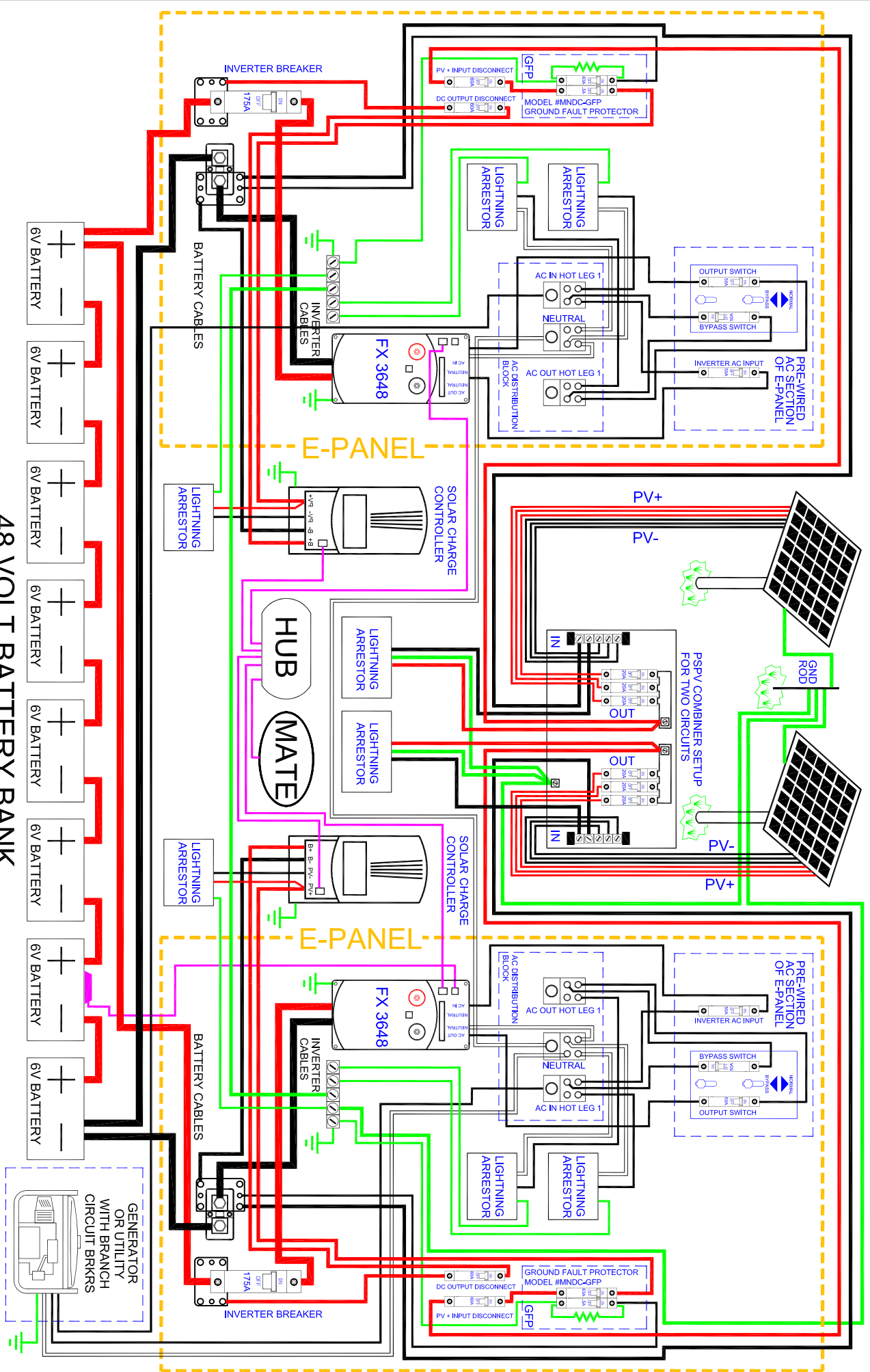


REV	DESCRIPTION	DATE	APPROVED
-----	-------------	------	----------



14000 BURN RD
ARLINGTON, WA
98223 USA

SERIES STACKED PAIR OF OUTBACKS

DRAWN BY ROBIN GUDGEL 11-15-05 PANEL WIRE2 OB.DWG