

CorruSlide PRODUCT GUIDE

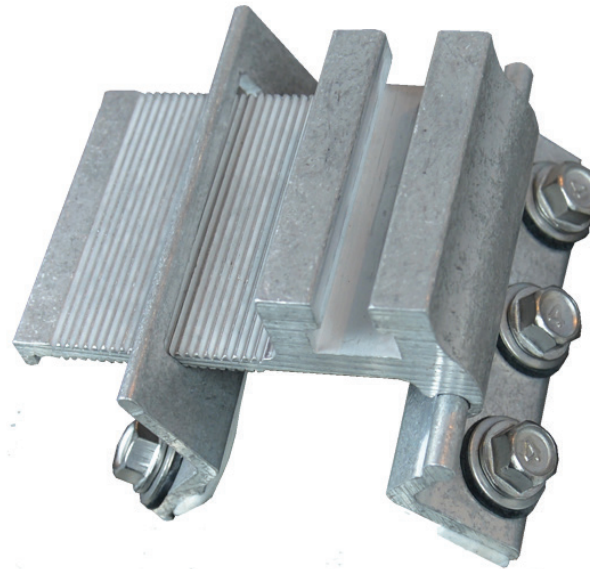
Exploded Product View/B.O.M. – 1

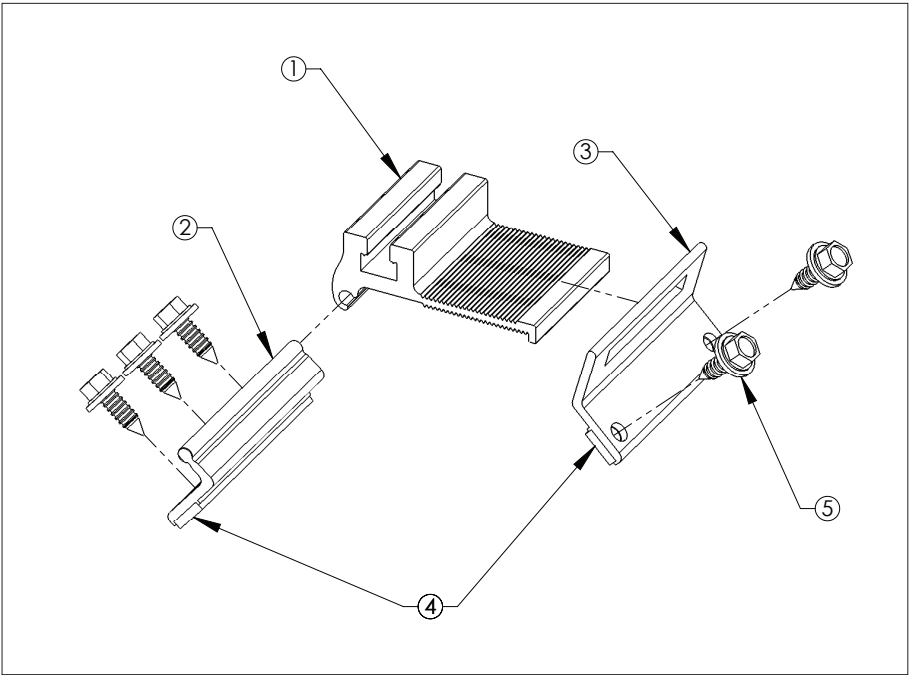
Installation Instructions – 2

Cut Sheet – 3

Specifications – 4

Test Data – 5

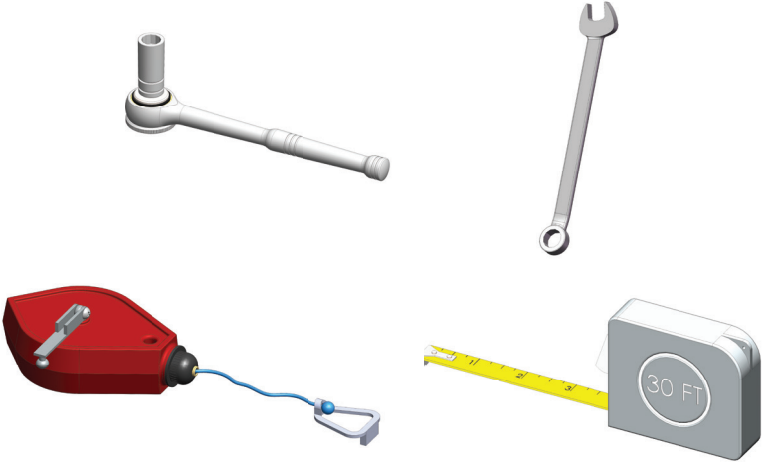


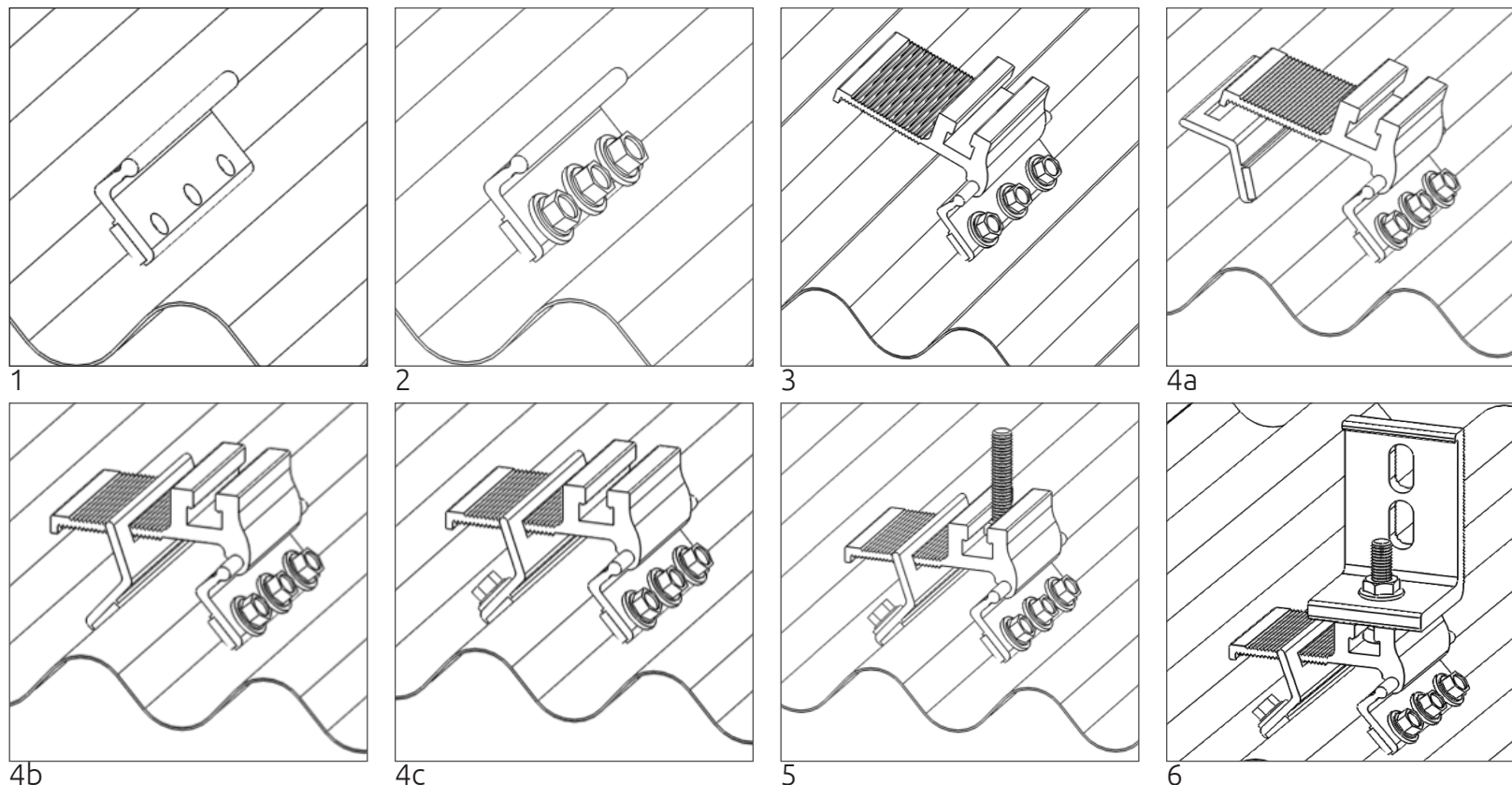


Materials Needed for Assembly

ITEM NO.	DESCRIPTION	QTY
1	CorruSlide - Slide	1
2	CorruSlide - Flipper	1
3	CorruSlide - Slot Bracket	1
4	PreInstalled Gasket Tape	2
5	Self-Tapping & Sealing Sheet Metal Screws	5

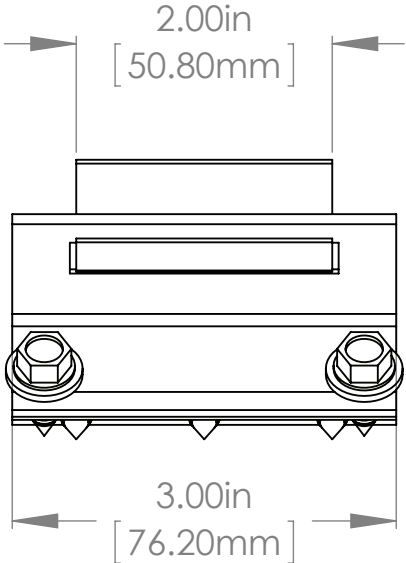
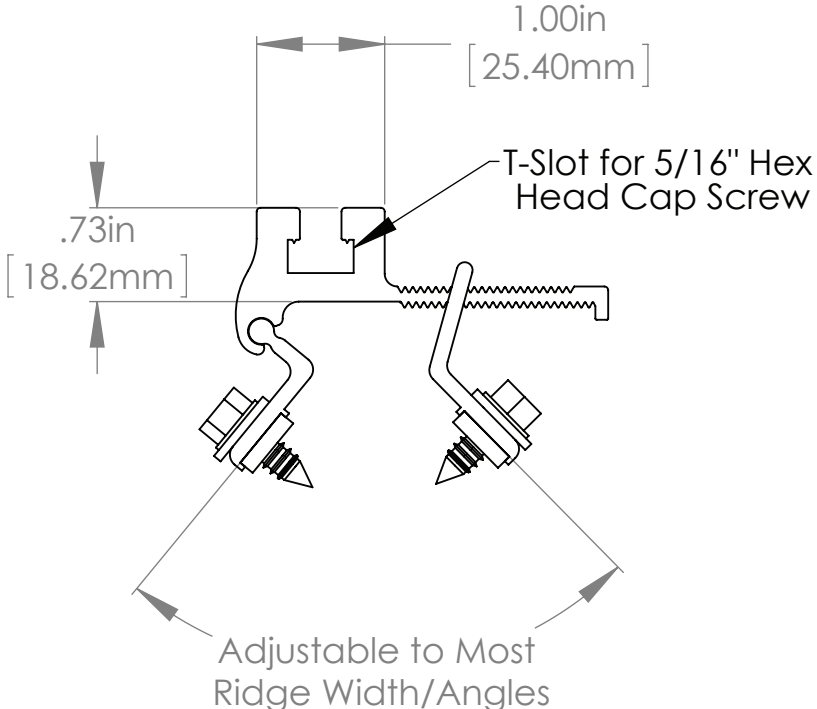
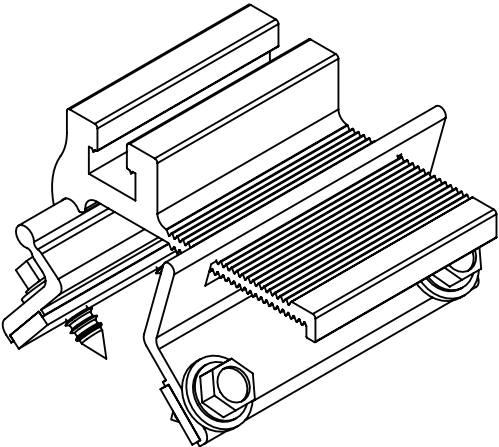
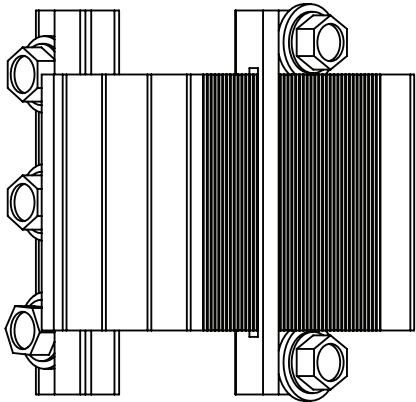
Required Tools





***Note-** It is recommended that the installer assemble and check one complete CorruSlide assembly on the roof panel for fit prior to removing release paper or installing screws. This will provide an indication of approximate fit *

1. Clean roof area that will come in contact with CorruSlide bracket. Remove release paper from tape on the CorruSlide-Flipper (hinged component with three fastener holes).
2. Install screws through the CorruSlide-Flipper into the roof panel.
3. Tilt the CorruSlide-Slide (“T” Slotted component) upward and slide into place over the CorruSlide-Flipper that was installed in step 2.
4.
 - a. Slide the CorruSlide-Slot Bracket (this part has a long rectangular hole and two fastener holes) over the serrated leg of the CorruSlide-Slide from step 3.
 - b. It is important to adjust the CorruSlide-Slot Bracket such that the CorruSlide-Slide of step 3 is level and locked in place. Note that depending upon the roof profile it may be necessary to skip a ridge/valley. Remove release paper.
 - c. Install Screws in CorruSlide-Slot Bracket component.
5. Slide the 5/16” diameter bolt (provided with each CorruSlide) into the CorruSlide-Slide.
6. Attach the desired rail attachment bracket (may be provided by other manufacturer).





PART 1 – GENERAL

1.1 SUMMARY

A. WORK INCLUDES

1. EcoFasten Solar CorruSlide Bracket that attaches to the corrugated panel ridge using provided sheet metal fasteners and watertight seal.

1.2 SYSTEM DESCRIPTION

A. COMPONENTS:

CorruSlide Bracket consists of the following

- (1) Slide Bracket
- (1) Flipper Bracket
- (1) Slot Bracket
- (5) #14x3/4" Self Tapping Sheet Metal Screws
- (1) 5/16"-18 Hex Head Fully Threaded Bolt 18.8 SS
- (1) 5/16"-18 Serrated Hex Flange Nut 18.8 SS

B. DESIGN REQUIREMENTS:

1. Bracket spacing to be recommended by project engineer.

1.3 SUBMITTAL

- A. Submit manufacturer's written specifications.
- B. Submit standard product cut sheets.
- C. Submit installation instructions.

1.4 QUALITY ASSURANCE

Installer to be experienced in the installation of specified roofing material for no less than 5 years in the area of the project.

1.5 DELIVERY / STORAGE / HANDLING

Inspect material upon delivery. Notify manufacturer within 24 hours of any missing or defective items. Keep material dry, covered, and off the ground until installed.

PART 2 - PRODUCTS

2.1 MANUFACTURER

EcoFasten Solar[®]
 289 Harrel Street, Morrisville, VT 05661
 (877) 859-3947
 www.ecofastensolar.com

2.2 MATERIALS

- A. CorruSlide Slide, Flipper, and Slot Bracket – 6000 Series Aluminum
- B. 5/16"-18 x 1.5" Fully Threaded Hex Bolt – 18.8 SS
- C. 5/16"-18 Serrated Flange Nut – 18.8 SS
- D. #14 x 3/4" Self Tapping Sheet Metal Screws – 18.8 SS

2.3 FINISH

- A. Mill Finish

PART 3 - EXECUTION

3.1 EXAMINATION

- A. Substrate: Inspect structure on which brackets are to be installed and verify that it will withstand any additional loading that may be incurred.
- B. Notify General Contractor of any deficiencies before installing EcoFasten Solar brackets.
- C. Verify that roofing material has been installed correctly prior to installing solar attachment brackets.

3.2 INSTALLATION

- A. Comply with architectural drawings and project engineer's recommendations for location of system. Comply with Manufacturer's written installation instructions for installation and layout.



COMPANY EcoFasten Solar		
PART NUMBER CorruSlide		DATE 7-25-2014
DESCRIPTION Uplift on 28Ga. Steel with 1/4"-14 X 7/8" Blazer Flange VRT Screws		
PRODUCT MATERIAL Assembly		SUBSTRATE
TEST TYPE <input checked="" type="checkbox"/> UPLIFT <input type="checkbox"/> SHEAR <input type="checkbox"/> LEAK TEST <input type="checkbox"/> CLAMP TO SEAM		
TEST NUMBER	LOAD (lb)	REASON For FAILURE
1	836	Bracket Failure
2	741	Bracket Failure
3	816	Bracket Failure
Average	797	
COMMENTS: Images available upon request.		
<i>Internal test data provided at the request and direction of Brian Stearns.</i>		