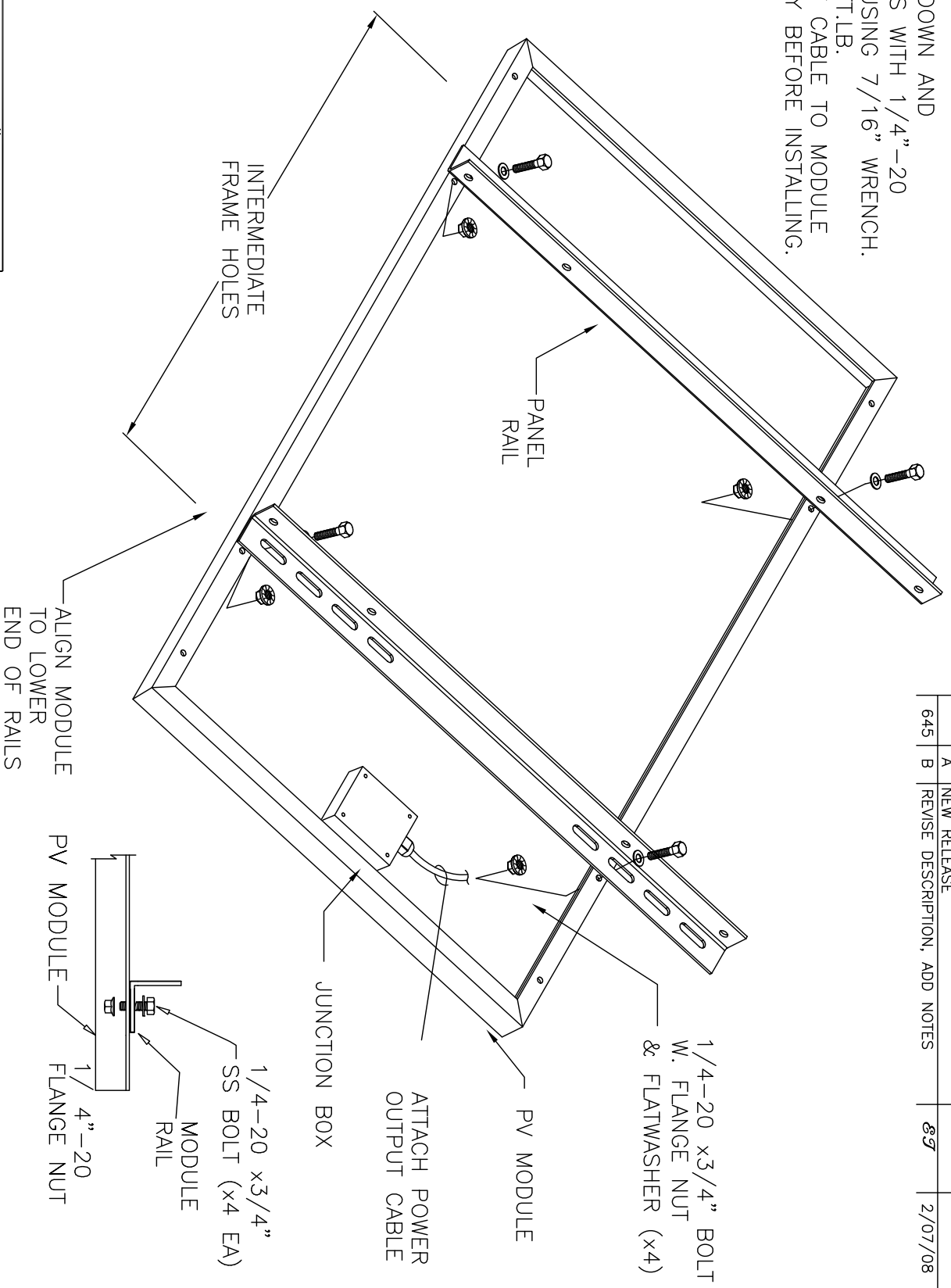


ASSEMBLY INSTRUCTIONS:

1. LAY PV PANELS FACE DOWN AND ATTACH TO PANEL RAILS WITH 1/4"-20 BOLTS AND WASHERS USING 7/16" WRENCH. TORQUE BOLTS TO 5-6 FT.LB.
2. ATTACH POWER OUTPUT CABLE TO MODULE AND TEST PV ASSEMBLY BEFORE INSTALLING.



ECR#	REV	REVISION DESCRIPTION	APPROVED	DATE
645	A	NEW RELEASE		
	B	REVISE DESCRIPTION, ADD NOTES	EG	2/07/08

MODULE MOUNTING HOLE DIMENSIONS	
SHARP 80	27.56"
SW50, 55, 60	23.62"
SW75, 80, 85, 90	31.50"
SUNTECH 85	25.98"
YINGLI 85	23.30"
SW100, 115, 120	31.50"
MITSUBISHI 110	37.12"
SOLAR MODULE	LOCATION (INTERMEDIATE HOLES)

CONFIDENTIAL, PROPERTY OF SUNWIZE TECHNOLOGIES
 DIMENSIONS: INCHES

Sunwize®
 1151 Palisades Road, Kingston, NY 12401

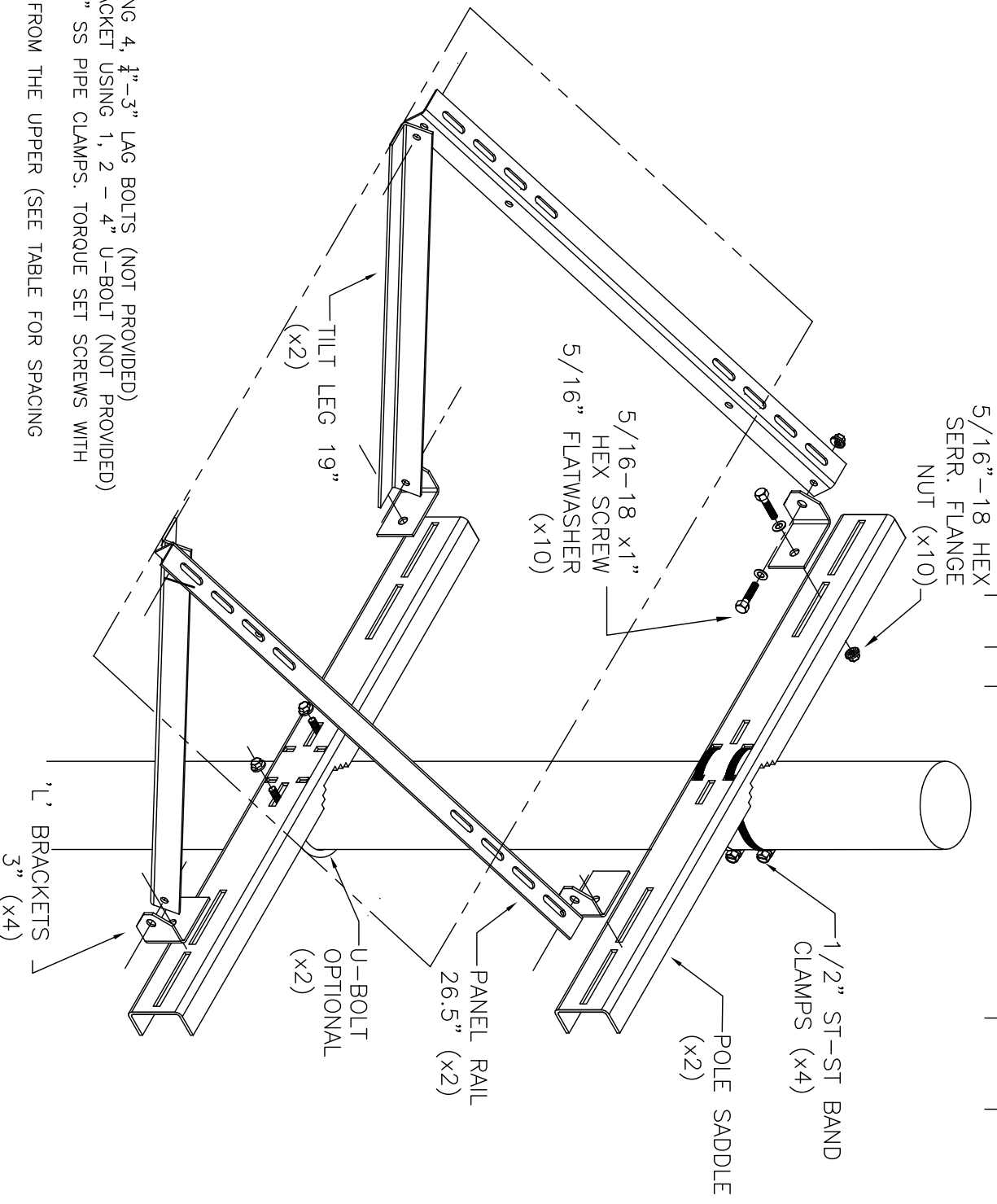
PROJECT: UNIVERSAL SIDE OF POLE MOUNTS

PART NO. 950037
 APPROVED BY: [Signature]

TITLE/PART/DESCRIPTION: ASSEMBLY DETAIL
 1 MOD 26.5" RAIL 2-4" POLE

SCALE: 1" = 1'-0"
 DATE DWG: 2/23/06
 SHEET: 1-3

ECR#	REV	REVISION DESCRIPTION	APPROVED	DATE



- INSTRUCTIONS:
- OPTIONAL: MOUNT UPPER SADDLE USING 4, 1/2"-3" LAG BOLTS (NOT PROVIDED)
 OPTIONAL: MOUNT UPPER SADDLE BRACKET USING 1, 2 - 4" U-BOLT (NOT PROVIDED)
 STANDARD: OTHERWISE USE 2, 4" X 1/2" SS PIPE CLAMPS. TORQUE SET SCREWS WITH 5/16" WRENCH TO 30-35 FT. LB.
 - MOUNT LOWER SADDLE BRACKET 'X' FROM THE UPPER (SEE TABLE FOR SPACING AND TILT ANGLE RANGE).
 - MOUNT L-BRACKET TO SADDLE USING 5/16" SS HARDWARE PROVIDED. TORQUE BOLTS USING 1/2" WRENCH TO 10-12 FT. LB.
 - MOUNT TILT LEGS TO L-BRACKETS USING 5/16" SS HARDWARE PROVIDED. TORQUE BOLTS USING 1/2" WRENCH TO 10-12 FT. LB.
 - TO SET TILT ANGLE, MOUNT TILT LEGS TO PANEL RAILS (SEE TABLE FOR HOLE POSITION) USING 5/16" SS HARDWARE PROVIDED. TORQUE BOLTS USING 1/2" WRENCH TO 10-12 FT. LB.
 - APPLY THREAD LOCKING COMPOUND ON ALL HARDWARE PRIOR TO COMPLETION.

CONFIDENTIAL, PROPERTY OF
 SUNWIZE TECHNOLOGIES
 DIMENSIONS:
 INCHES

SunWize
 1151 Fabiani Road, Kingston, NY 12401

PROJECT:
 UNIVERSAL SIDE OF POLE MOUNTS

PART NO.:
 950037

TITLE/PART/DESCRIPTION:
 ASSEMBLY DETAIL
 1 MOD 26.5" RAIL 2-4" POLE

APPROVED BY: [Signature]

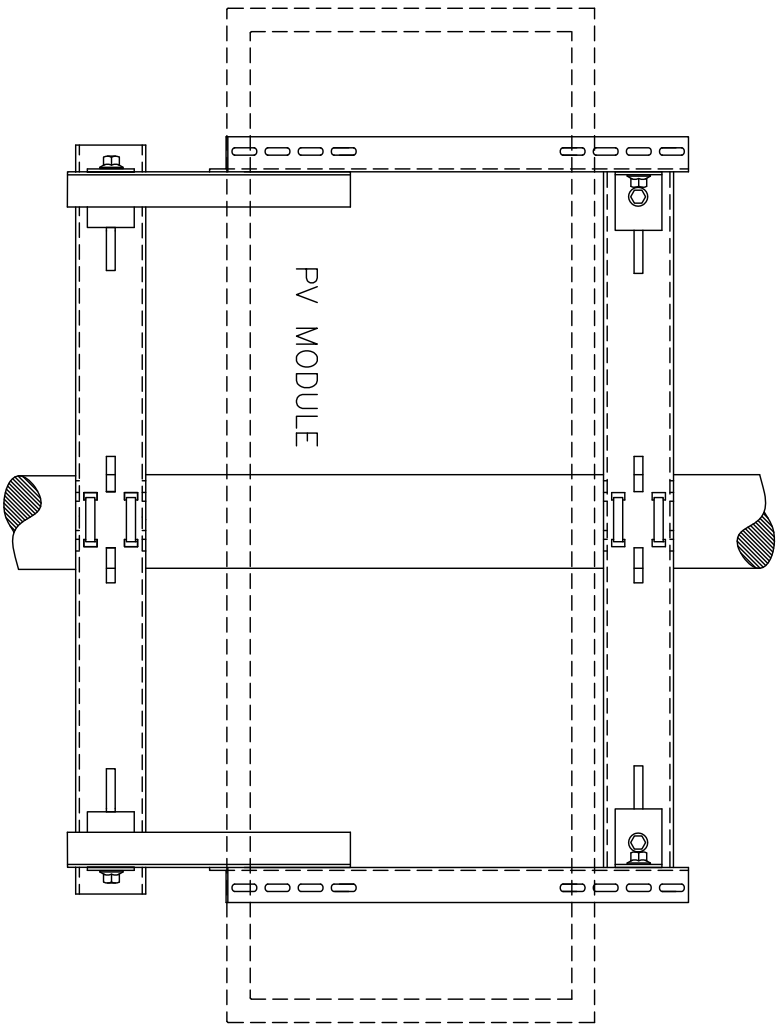
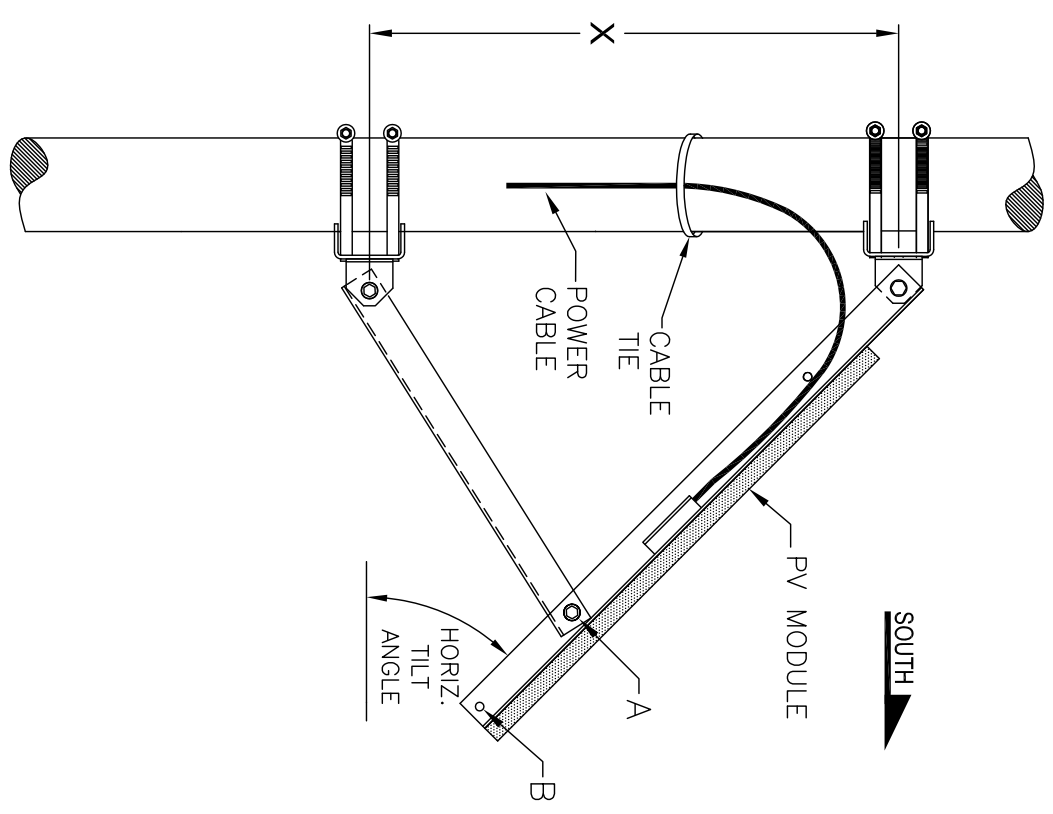
DATE DWN: 7/23/06

SCALE: 1" = 1'-0"

DATE DWN: 7/23/06

SHEET: 2-3

ECR#	REV	REVISION DESCRIPTION	APPROVED	DATE



MODULE FRONT VIEW

60°	B	34.5
55°	B	31
50°	B	26.5
45°	B	18
40°	A	22
35°	A	18.5
30°	A	14.5
25°	A	8.75
HORIZ. TILT	MTG. HOLE	X DIST. (INCH)

SunWize <small>1151 Fairbairn Road, Kingston NY 12401</small>	
PROJECT: UNIVERSAL SIDE OF POLE MOUNT PART NO. 950037 APPROVED BY:	TITLE/PART DESCRIPTION ASSEMBLY DETAIL 1 MOD 26.5" RAIL 2-4" POLE
CONFIDENTIAL, PROPERTY OF SUNWIZE TECHNOLOGIES DIMENSIONS IN INCHES	SIZE TOL. --- DATE DWG 7/23/06 SCALE --- DRAWN BY: d e SHEET 3-3
DATE DWG 7/23/06 DWG NO. 296-30-035 REVISION B	